

**COMPACT  
PNEUMATIC CYLINDERS  
PKY-A SERIES Ø32- Ø100**





## PKY-A SERIES

COMPACT - Ø32 - Ø100

ANTIROTARY COMPACT CYLINDER  
WITH MAGNET

SUITABLE FOR USE IN CARRIAGE  
AND TAKE POSITION WITH  
ANTIROTARY PISTON ROD  
SPECIALTY



**PKY:** ANTIROTARY - COMPACT  
CYLINDERS WITH DOUBLE ACTING



**PKY-A:** ANTIROTARY - MAGNETIC -  
COMPACT CYLINDERS WITH DOUBLE  
ACTING

### Example of order:

PKY-A  
Product Code

032-100  
Cylinder Ø  
Stroke

R1 K1  
Variants from  
Standard System

### VARIANTS FROM STANDARD SYSTEM:

R1: Stainless Steel Piston Rod (SS 304-SS 316)

R4: Stainless Steel Nut for Piston Rod (SS 30)

R5: Piston Rod as CK45 (Hard Chrome Plated)

M4: Extended Piston Rod

K1: Seals for Max. 150°C (Viton)

K4: Piston Rod Seal Viton

### Force:

Cylinder Ø mm	Rod Ø mm	Thrust and traction forces (6 Bar)	
		Thrust Force (N)	Traction Force (N)
32	12	482	415
40	12	754	687
50	16	1178	1058
63	16	1869	1750
80	20	3014	2829
100	25	4710	4420

### Working Fluid:

Filtered and lubricated or filtered and not lubricated air

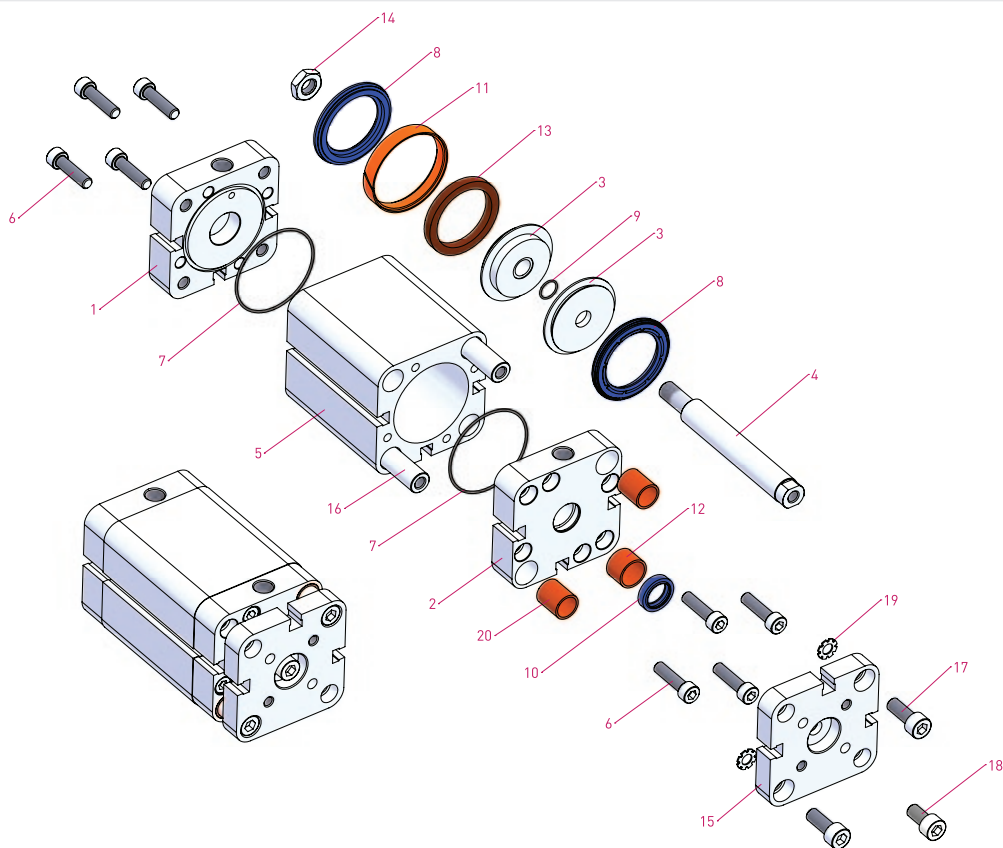
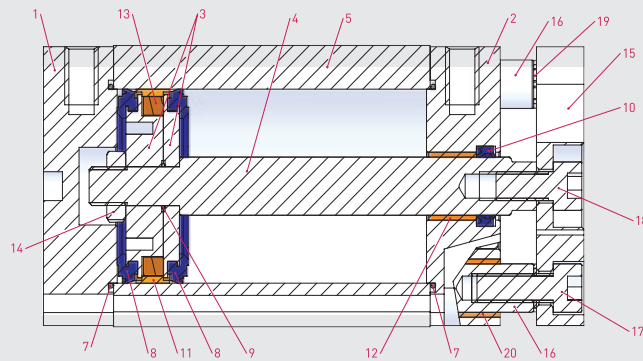
### Operating Temperature Range:

Polyurethane (PU) : (-20°C) - (+80°C)

Viton (FKM) : (-30°C) - (+180°C)

### Max. Work Pressure:

10 Bar

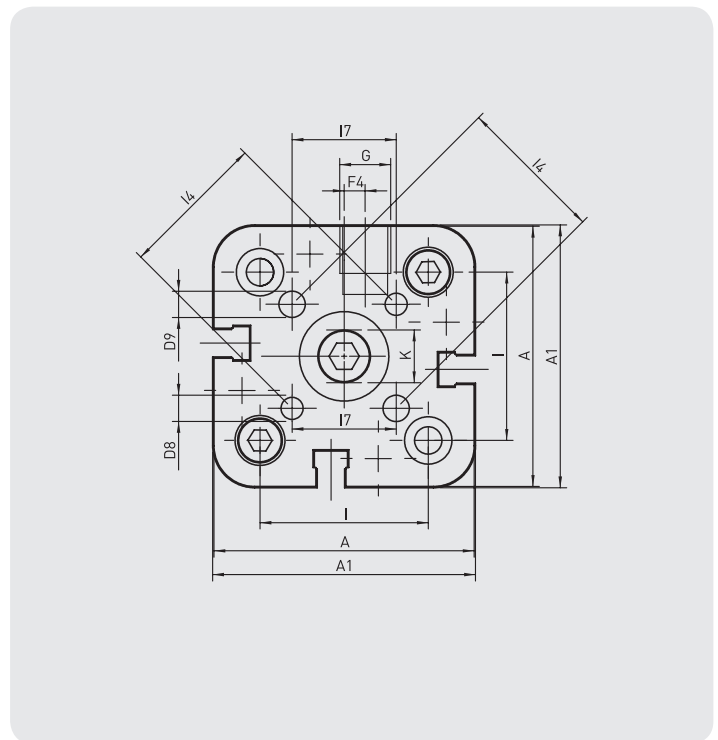
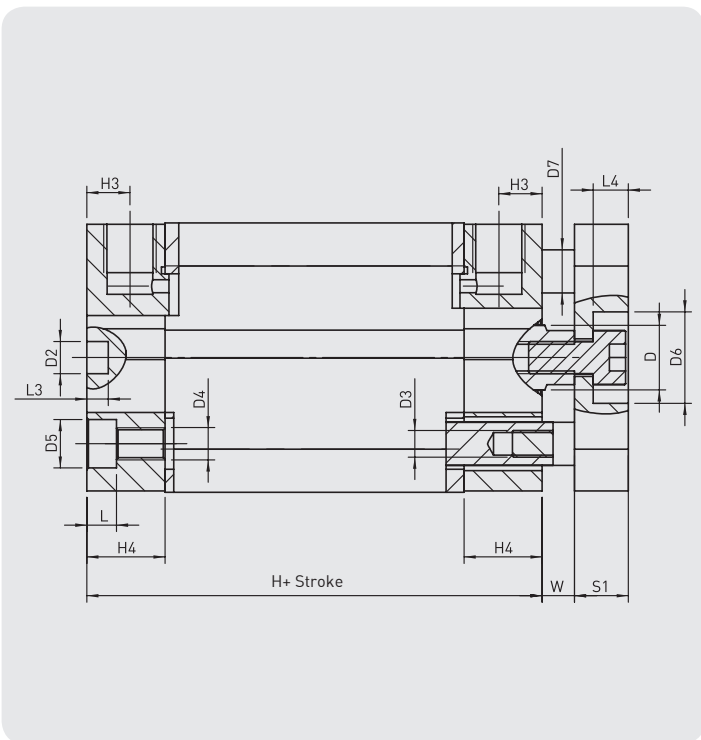


No	MATERIAL NAME	CHARACTERISTIC	PC.
1	Rear Head	Aluminium	1
2	Front Head	Aluminium	1
3	Middle Piston	Aluminium	2
4	Piston Rod	X20 Cr13 Hard Chrome Plated	1
5	Tube	Al Mg Si 0,5+Eloxal Plated	1
6	Bolt	Stainless Steel	8
7	Head O-ring	NBR	2
8	Piston Seal	PU	2
9	Middle Piston O-ring	NBR	1
10	Rod Seal	PU	1

No	MATERIAL NAME	CHARACTERISTIC	PC.
11	Guiding Band	Polyacetal	1
12	Guiding Bush	CSB-40	1
13	Magnet		1
14	Nut	Galvanized Steel	1
15	Braket	Aluminium	1
16	Rod	X20Cr13 Hard Chrome Plated	2
17	Bolt	Galvanized Steel	2
18	Bolt	Galvanized Steel	1
19	Rondela		2
20	Guiding Bush	CSB-40	2



**PKY-A SERIES**  
COMPACT - Ø32 - Ø100



Cylinder Ø mm	A	A1	D Ø	D2 Ø	D3 Ø	D4 Ø	D5 Ø	D6 Ø	D7 Ø	D8 Ø	D9 Ø	F4
32	49,5	50	12	6	5,2	M6	9	17	8	M5	5	4
40	57,5	58	12	6	5,2	M6	9	17	10	M5	5	3
50	66,5	67	16	6	6,7	M8	10,5	22	10	M6	6	0
63	79,5	80	16	8	8,7	M10	13,5	22	10	M6	6	0
80	99,5	100	20	8	8,7	M10	13,5	28	14	M8	8	0
100	123,5	124	25	8	8,7	M10	13,5	30	14	M10	10	0

G	H	H3	H4	I	I4	I7	K	L	L3	L4	S1	W
1/8"	44,5	8	14,5	32	28	19,8	10	5,5	4	6,5	10	6
1/8"	45,5	8	14,75	42	33	23,3	10	5,5	4	6,5	10	6,5
1/8"	45,5	8	14,75	50	42	29,7	13	6,5	4	8,5	12	7,5
1/8"	50	8	14,75	62	50	35,4	13	8,5	4	8,5	12	7,5
1/8"	56	8,5	16,5	82	65	46	17	8,5	4	9	14	8
1/4"	66,5	10,5	19,75	103	80	56,6	22	8,5	4	10	14	10