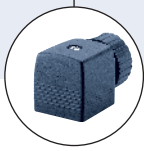


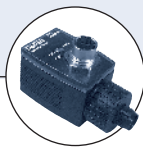
Type 6518/6519 can be combined with...



**Type 2508**  
Cable plug



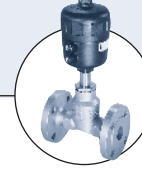
**Type 1078**  
Timer unit



**Type 2512/2511**  
ASI cable plug



**Type 8600**  
Dosing control



**Type 2012**  
Single-seat globe valve

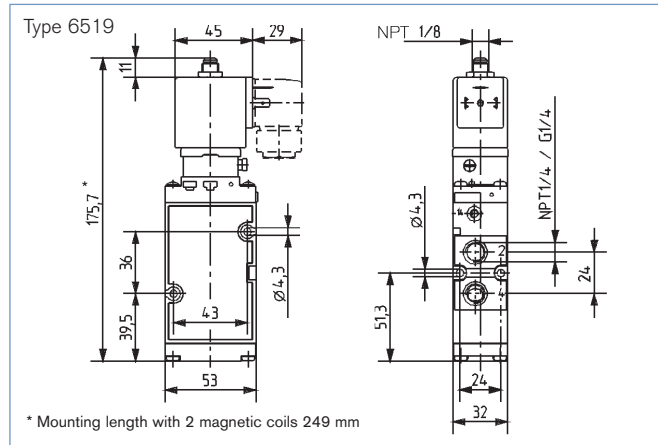
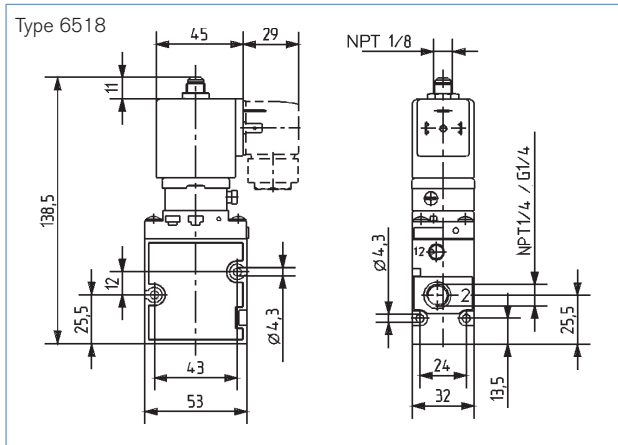
- High flow-rate capacity
- Single or manifold mounting
- Circuit function NC and NO
- 3 and 5-way valves can be combined
- Push-over solenoid coil
- Reduced power consumption
- 

The Type 6518 is a 3/2-way valve and the Type 6519 is a 5/2 or 5/3-way valve. Together, they form a product line. Both types can be mounted on a pneumatic module. The valves can be used individually or in blocks.

| Power consumption |        |     |
|-------------------|--------|-----|
| Inrush            | Hold   |     |
| AC                | AC     | DC  |
| [VA]              | [VA/W] | [W] |
| 11                | 6/2    | 2   |

| Technical data                |   |
|-------------------------------|---|
| <b>Orifice</b>                |   |
| Type 6518                     | DN 8.0 mm                                     |
| Type 6519                     | DN 8.0 and 9.0 mm                             |
| <b>Body material</b>          |   |
| Type 6518                     | Polyamide, reinforced                         |
| Type 6519                     | Polyamide (5/2-way), aluminium (5/3-way)      |
| <b>Thread insert material</b> | Brass (stainless steel on request)            |
| <b>Seal material</b>          |   |
| Type 6518                     | NBR and PUR                                   |
| Type 6519                     | NBR or NBR and PUR                            |
| <b>Media</b>                  | Compressed air, neutral gases                 |
| <b>Media temperature</b>      | 14°F to 122°F (-10°C to +50°C)                |
| <b>Ambient temperature</b>    | -13°F to 131°F (-25°C to +55°C)               |
| <b>Supply ports</b>           |   |
| Type 6518: 1 and 3            | NPT 1/4, can also be flanged                  |
| Type 6519: 1, 3 and 5         | NPT 1/4, can also be flanged                  |
| <b>Service port</b>           |   |
| Type 6518: 2                  | Threaded port NPT 1/4                         |
| Type 6519: 2 and 4            | Threaded port NPT 1/4                         |
| <b>Voltage tolerance</b>      | ±10%  |
| <b>Duty cycle</b>             | 100% continuous rating                        |
| <b>Electrical connection</b>  | Tag connector acc. to DIN 43650 Form A        |
| <b>Protection class</b>       | IP 65 with cable plug                         |
| <b>Installation</b>           | As required, preferably with actuator upright |

Dimensions [mm]



Ordering chart for Type 6518 valves (other versions on request)

All valves can be stand alone or mounted on a manifold. Includes standard cable plug Type 2508, 008 376 N

| Circuit function              | Orifice [mm] | Seal material body      | Port connection threaded port | QNn value air [l/min] | Cv  | Pressure range [PSI] | Power consumption [W] | Voltage/frequency [V/Hz] | Item no. UL Recognized CSA/CE |
|-------------------------------|--------------|-------------------------|-------------------------------|-----------------------|-----|----------------------|-----------------------|--------------------------|-------------------------------|
| <b>C</b> 3/2-way valve NC<br> | 8.0          | NBR and PUR (polyamide) | NPT 1/4                       | 1300                  | 1.3 | 29 – 116             | 2                     | 024/DC                   | 456 989 T                     |
|                               |              |                         |                               |                       |     |                      |                       | 024/60                   | 456 990 Y                     |
|                               |              |                         |                               |                       |     |                      |                       | 120/60                   | 456 991 M                     |
|                               |              |                         |                               |                       |     |                      |                       | 240/60                   | 456 992 N                     |
| <b>D</b> 3/2-way valve NO<br> | 8.0          | NBR and PUR (polyamide) | NPT 1/4                       | 1300                  | 1.3 | 29 – 116             | 2                     | 024/DC                   | 456 993 P                     |
|                               |              |                         |                               |                       |     |                      |                       | 024/60                   | 456 994 Q                     |
|                               |              |                         |                               |                       |     |                      |                       | 120/60                   | 456 995 R                     |
|                               |              |                         |                               |                       |     |                      |                       | 240/60                   | 456 996 J                     |

NOTE: UL listed/FM Class 1, Div 2 / CSA/CE on request

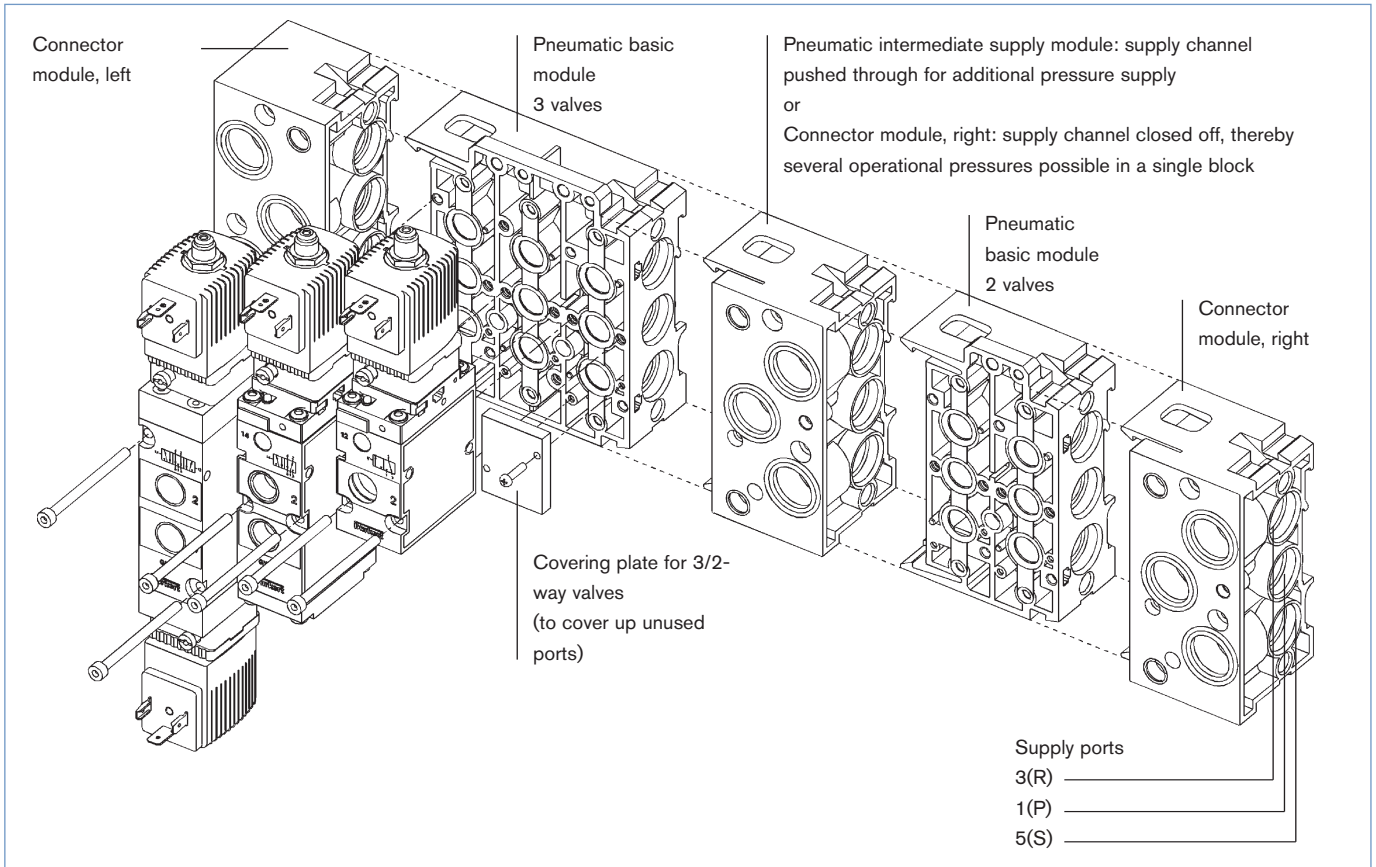
Ordering chart for Type 6519 valves (other versions on request)

All valves can be stand alone or mounted on a manifold. Includes standard cable plug Type 2508, 008 376 N

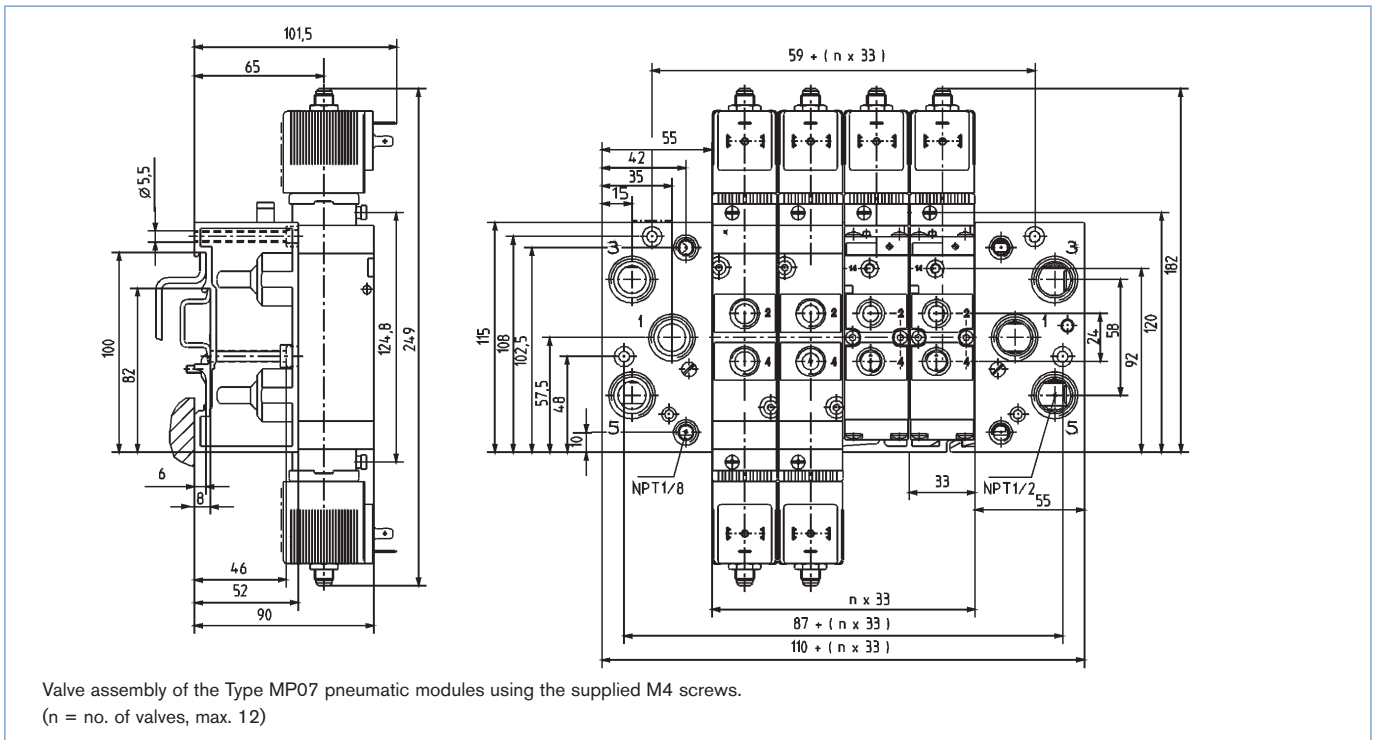
| Circuit function                                      | Orifice [mm] | Seal material body      | Port connection threaded port | QNn value air [l/min] | Cv  | Pressure range [PSI] | Power consumption [W] | Voltage/frequency [V/Hz] | Item no. UL Recognized CSA/CE |
|---|--------------|-------------------------|-------------------------------|-----------------------|-----|----------------------|-----------------------|--------------------------|-------------------------------|
| <b>H</b> 5/2-way valve<br>                            | 8.0          | NBR and PUR (polyamide) | NPT 1/4                       | 1300                  | 1.3 | 29 – 116             | 2                     | 024/DC                   | 456 977 W                     |
|   |              |                         |                               |                       |     |                      |                       | 024/60                   | 456 978 F                     |
|   |              |                         |                               |                       |     |                      |                       | 120/60                   | 456 979 G                     |
|   |              |                         |                               |                       |     |                      |                       | 240/60                   | 456 980 W                     |
| <b>L</b> 5/3-way valve<br>Closed middle position<br>  | 8.0          | NBR and PUR (polyamide) | NPT 1/4                       | 1300                  | 1.3 | 43 – 145             | 2                     | 024/DC                   | 456 981 K                     |
|   |              |                         |                               |                       |     |                      |                       | 024/60                   | 456 982 L                     |
|   |              |                         |                               |                       |     |                      |                       | 120/60                   | 456 983 M                     |
|   |              |                         |                               |                       |     |                      |                       | 240/60                   | 456 984 N                     |
| <b>N</b> 5/3-way valve,<br>Vented middle position<br> | 8.0          | NBR and PUR (polyamide) | NPT 1/4                       | 1300                  | 1.3 | 43 – 145             | 2                     | 024/DC                   | 456 985 P                     |
|   |              |                         |                               |                       |     |                      |                       | 024/60                   | 456 986 Q                     |
|   |              |                         |                               |                       |     |                      |                       | 120/60                   | 456 987 R                     |
|   |              |                         |                               |                       |     |                      |                       | 240/60                   | 456 988 S                     |

NOTE: UL listed/FM Class 1, Div 2 / CSA/CE on request

Manifold assembly with modules Type MP07 (example)



Manifold assembly either wall-mounted or standard mounting EN 50022 or 50023



DTS 1000082452 EN Version: A Status: RL (released | freigegeben | valide) printed: 16.07.2008

## Ordering chart for Type MP07 pneumatic module and complementary products

| Version  | Item no.  |
|--|-----------|
| Connector module, right NPT 1/2                                      | 639 618 M |
| Pneumatic intermediate supply module                                 | 637 505 T |
| Pneumatic basic module 2 valves universal (for 3/2-, 5/2-, 5/3-way)  | 635 319 D |
| Pneumatic basic module 3 valves universal (for 3/2-, 5/2-, 5/3-way)  | 635 342 C |
| Connector module, left NPT 1/2                                       | 639 616 B |
| Covering plate for 5/2 and 5/3 (to cover the unused valve positions) | 635 335 V |
| Covering plate für 3/2 (to cover the unused connections)             | 635 337 X |
| Blanking plug NPT 1/8, brass, Hex socket                             | US07133   |
| Blanking plug NPT 1/4, brass, Hex socket                             | US00667   |
| Blanking plug NPT 1/2, brass, Hex socket                             | US07129   |

**Note:** Manifold also can be used with FM approved explosion proof valves. Manifolds can not be used with ATEX approved valves.

## Ordering chart for cable plug 2508

The delivery of a cable plug includes the flat seal and the fixing screw (galvanised and chrome-plated): In the case of stainless steel valves, we recommend a cable plug with a stainless steel screw (see ordering chart, without circuitry)

| Voltage                                      | Current rating | Item number without cable |
|--|----------------|---------------------------|
| Without circuitry, 2 pins + protective earth |                |                           |
| 0 to 250 V/AC/DC mounting screw (standard)   | max. 6 A       | 008 376 N                 |
| 0 to 250 V/AC/DC with st. steel screw        | max. 6 A       | 132 445 L                 |
| Without circuitry, 3 pins + protective earth |                |                           |
| 0 to 250 V/AC/DC                             | max. 6 A       | 008 526 V                 |
| With LED                                     |                |                           |
| 12 to 24 V/AC/DC                             | max. 6 A       | 008 360 S                 |
| 100 to 120 V/AC/DC                           | max. 6 A       | 008 361 P                 |
| 200 to 240 V/AC/DC                           | max. 6 A       | 008 362 Q                 |
| With rectifier, varistor and LED ■           |                |                           |
| 12 to 24 V/AC/DC                             | max. 1 A       | 008 363 R                 |
| 100 to 120 V/AC/DC                           | max. 1 A       | 008 365 K                 |
| 200 to 240 V/AC/DC                           | max. 1 A       | 008 366 L                 |

■ With DC, ensure correct polarity.

## Ordering chart for cable plug 2508

The delivery of a cable plug includes the flat seal and fixing screw.

| Voltage                                 | Current rating | Item number without cable |
|---|----------------|---------------------------|
| With LED and varistor                   |                |                           |
| 12 to 24 V /AC/DC                       | max. 6 A       | 008 376 N                 |
| 100 to 120 V /AC/DC                     | max. 6 A       | 008 368 W                 |
| 200 to 240 V/AC/DC                      | max. 6 A       | 008 369 X                 |
| With varistor                           |                |                           |
| 12 to 24 V/AC/DC                        | max. 6 A       | 008 370 U                 |
| 100 to 120 V/AC/DC                      | max. 6 A       | 008 371 J                 |
| 200 to 240 V/AC/DC                      | max. 6 A       | 008 372 K                 |
| With pole protection, rectifier and LED |                |                           |
| 12 to 24 V/DC                           | max. 1 A       | 008 373 K                 |
| With pole protection and rectifier      |                |                           |
| 12 to 240 V/DC                          | max. 1 A       | 008 375 M                 |
| With rectifier and varistor             |                |                           |
| 12 to 240 V/AC/DC                       | max. 1 A       | 008 374 L                 |

In case of special application conditions, please consult for advice.

We reserve the right to make technical changes without notice.

0703/2\_US-en\_1000082452