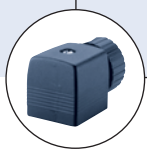




Type 0340 can be combined with...



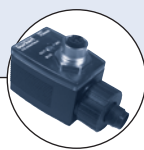
Type 2508

Cable plug



Type 1078

Timer unit



Type 2511

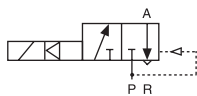
ASI cable plug

3/2-way Solenoid Valve for gases and liquids

- 3/2-way solenoid valve with manual override
- Seat valve with servo-piston, enlarged outlet
- Circuit function NC or NO
- For neutral gases and liquids
- Pivoted armature pilot drive, media-separated

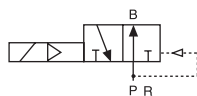
The pilot-controlled 3/2-way solenoid valve Type 0340 with smoothly operating servo-piston requires a differential pressure of 0.5 bar for complete opening and closing. A diaphragm separates the operating medium from the drive. It can be used in many ways, even for dry running. Manual override as standard.

Circuit function C



3/2-way valve, when de-energized outlet port A exhausted, with 3-way pilot control

Circuit function D



3/2-way valve, when de-energized outlet port B pressurized, with 3-way pilot control

Technical data	
Orifice	DN 8.0 - 40 mm
Body material	Brass
Coil material	Epoxy
Coil insulation class	H
Seal material	NBR
Media	Neutral media Compressed air, water, hydraulic oil
Media temperature	0 to +80 °C (90°C short term)
Ambient temperature	Max. +55 °C
Viscosity	Max. 21 mm ² /s
Voltage tolerance	±10%
Duty cycle	100% continuous rating
Electrical connection	Cable plug for Ø 7 mm cable, acc. to DIN EN 175301-803 Form A (supplied as standard)
Protection class	IP 65 with cable plug
Installation	As required, preferably with actuator upright
Flow rate Kv value water [m ³ /h]	measured at +20°C, 1 bar pressure at valve inlet and free outlet
Pressure values [bar]	gauge pressures with respect to the prevailing atmospheric pressure
Response times [ms] Opening Closing	measured with water at valve outlet at 6 bar and +20°C pressure build-up 0 to 90% pressure decay 100 to 10%

Technical data

Orifice [mm]	Kv value Water P→A [m ³ /h]	Port connection A/B und P	Pressure range [bar]	Power consumption				Response times		Weight [kg]
				Inrush AC [VA]	DC [W]	Hold AC [VA/W]	DC [W]	Opening [ms]	Closing [ms]	
8	0.95	G 1/4	0.5 - 16	30	8	15/8	8	25	25	1.0
12	2.30	G 3/8	0.5 - 16	30	8	15/8	8	30	30	1.2
12	2.60	G 1/2	0.5 - 16	30	8	15/8	8	30	30	1.2
20	6.60	G 3/4	0.5 - 16	30	8	15/8	8	40	40	2.2
25	10.00	G 1	0.5 - 10	30	8	15/8	8	70	70	2.7
40	24.00	G 1 1/2	0.5 - 10	30	8	15/8	8	120	120	6.8

Port R is one orifice size larger than the ports A/B and P (see Dimensional Table). As a result, the flow A→R is increased by the factor 1.5 to 2 over the value in the table.

Ordering chart for valves (other versions on request)

All valves with manual override, brass body, NBR seal and cable plug

Circuit function	Port connection	Orifice [mm]	Kv value water P→A [m ³ /h]	Pressure range [bar]	Item no. per voltage/frequency [V/Hz]		
					024/DC	024/50	230/50
C 3/2-way valve NC 	G 1/4	8.0	0.95	0.5 - 16	041 317	041 318	041 329
	G 3/8	12	2.3	0.5 - 16	041 350	041 351	041 353
	G 1/2	12	2.6	0.5 - 16	041 333	041 334	041 346
	G 3/4	20	6.6	0.5 - 16	041 354	041 665	041 361
	G 1	25	10.0	0.5 - 10	041 537	041 362	041 364
	G 1 1/2	40	24.0	0.5 - 10	042 319	041 365	041 366
D 3/2-way valve NO 	G 1/4	8.0	0.95	0.5 - 16	041 367	041 368	041 371
	G 3/8	12	2.3	0.5 - 16	047 534	041 062	041 386
	G 1/2	12	2.6	0.5 - 16	041 374	041 375	041 380

■ Port R is one orifice size larger than the ports A/B and P (see Dimensional Table). As a result, the flow A→R is increased by the factor 1.5 to 2 over the value in the table.

i Further versions on request



Voltage

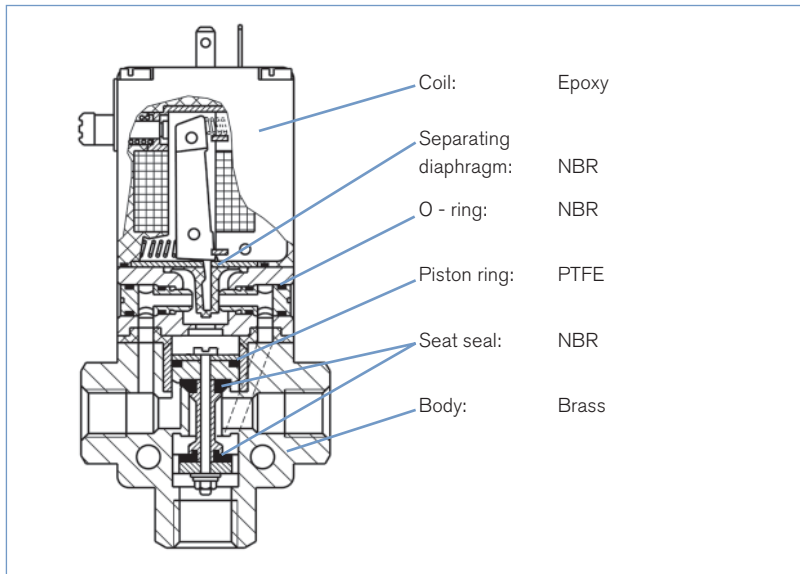
Non-standard voltages (012/DC and 110/50)



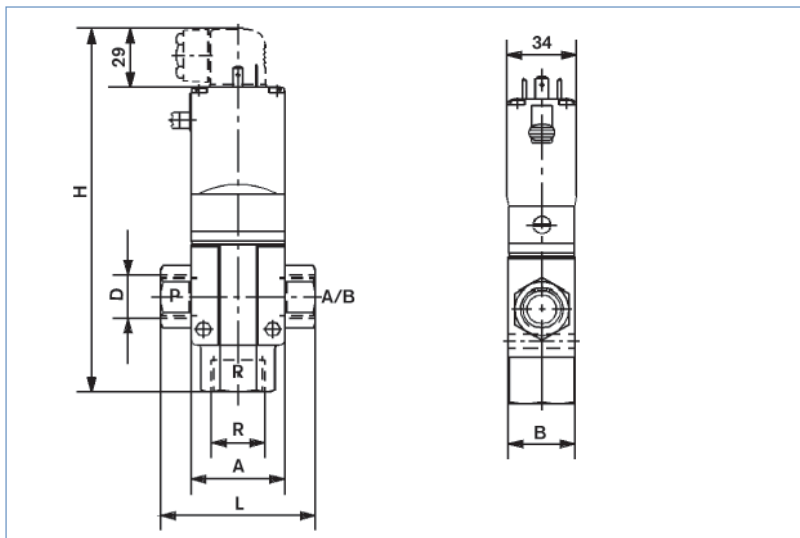
Approvals

ATEX-Ex / UL / UR / CSA

Material



Dimensions [mm]



DN	A	B	D	H	L	R
8	46	33	G 1/4	154.5	65	G 3/8
12	46	33	G 3/8	179.5	76	G 3/4
12	46	33	G 1/2	179.5	76	G 3/4
20	62	52	G 3/4	215.5	90	G 1
25	82	60	G 1	237.5	110	G 1 1/4
40	117	88	G 1 1/2	274.0	153	G 2

This dimensional drawing shows a valve in circuit function C with port designations P, R and A/B (see figure on the front page). In circuit function D, the manual override is located above the port connection A/B.

To find your nearest Bürkert facility, click on the orange box →

www.burkert.com

In case of special application conditions, please consult for advice.

We reserve the right to make technical changes without notice.

0707/3_EU-en_00891626