



## 2/2 or 3/2-way Solenoid Valve for aggressive media, G 1/4

- Pivoted armature valve with manual override
- Direct-acting with separating diaphragm
- Different circuit function available
- Suitable for aggressive media
- Plastic body in PP or PVDF

Type 0124 can be combined with...



**Type 2508**

Cable plug

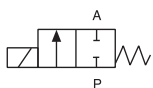


**Type 1078**

Timer unit

The Type 0124 is a direct-acting 2/2 or 3/2-way pivoted armature solenoid valve. Deliverable in many circuit functions for opening, closing, dosing, mixing and distribution. The magnetic system and the media chamber are separated from one another by a separating diaphragm system.

### Circuit function A



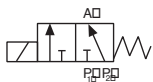
2/2-way valve NC

### Circuit function C



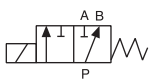
3/2-way valve NC

### Circuit function E



3/2-way mixer valve

### Circuit function F



3/2-way distribution valve

Technical data	
<b>Orifice</b>	DN 3.0 - 5.0 mm
<b>Body and seat material</b>	PP, PVDF
<b>Coil material</b>	Epoxy
<b>Coil insulation class</b>	H
<b>Seal material</b>	EPDM, FKM NBR and FFKM on request
<b>Media</b>	EPDM FKM
	Alkalis, acids up to medium concentrations, alkaline washing and bleaching lyes, Oxidising acids and substances, oils, salt solutions, waste gases
<b>Media temperature</b>	EPDM FKM
	- 30 to +80 °C 0 to +80 °C
<b>Ambient temperature</b>	Max. +55 °C
<b>Voltage tolerance</b>	±10%
<b>Duty cycle</b>	Intermittent operation Continuous operation
	40% ED (30 min) with 8 W version 100% ED with 5 W version (on request)
<b>Electrical connection</b>	Tag connector acc. to DIN EN 175301-803 Form A (previously DIN 43650) for cable plug Type 2508 (supplied as standard)
<b>Protection class</b>	IP 65 with cable plug
<b>Installation</b>	As required, preferably with actuator upright

Technical data

Inrush	Hold	warm/cold	Weight
AC [VA]	AC [VA/W]	DC [W]	kg
30	15/8	8/11	0,4

Orifice [mm]	Response times			
	AC		DC	
	Opening [ms]	Closing [ms]	Opening [ms]	Closing [ms]
2-4	8-15	8-15	10-20	10-20

The springs of each valve are set up for a specific circuit function.  
When using them in other circuit functions, the permissible operating pressure changes according to the following table.

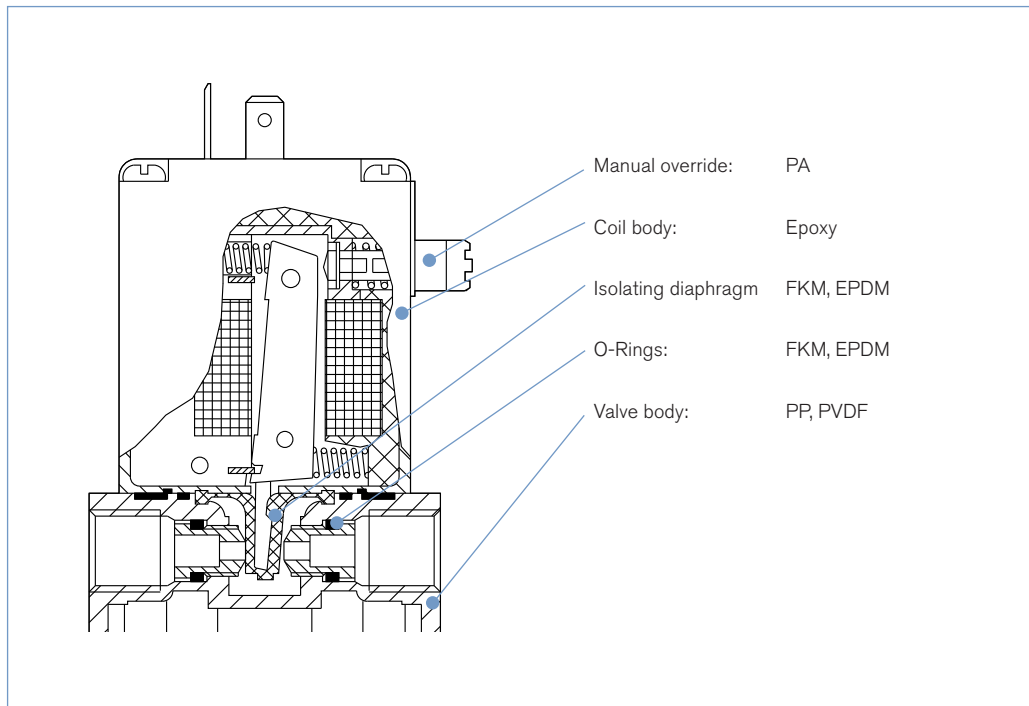
**Response times [ms]:**

Measured at valve outlet at 6 bar and +20 °C

**Opening:** pressure build-up 0 to 90%, **closing:** pressure relief 100 to 10%

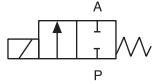
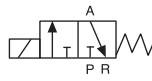
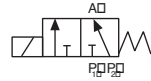
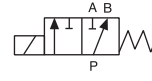
Circuit function	Max. operating pressure [bar] when using the valve in a new circuit function											
	Orifice 3.0						Orifice 4.0					
	A	B	C	D	E	F	A	B	C	D	E	F
<b>C</b>	10	1	10	1	1	10	5	0,8	5	0,8	0,8	5
<b>D</b>	6	6	6	6	6	3	3	3	3	3	3	3
<b>F</b>	5	1	6	1	1	10	4	1	4	1	1	4

Materials



## Ordering chart for valves (other versions on request)

Circuit function	Port connection	Orifice [mm]	Kv value water [m <sup>3</sup> /h]	Pressure range [bar]	Voltage/frequency [V/Hz]	Item no. Seal material FKM	Item no. Seal material EPDM			
<b>All valves body material PP, manual override and cable plug, different seal materials</b>										
<b>A</b>	G 1/4	3.0	0.25	0 - 8	024/DC	018 410	067 214			
				0 - 10	24/50	088 496	022 105			
					230/50	045 653	062 398			
					024/DC	062 695	021 660			
				0 - 5	024/50	043 005	067 731			
					110/50	087 029	–			
	230/50	063 116	063 118							
	G 1/4	5.0	0.40	0 - 3	024/DC	062 624	061 321			
				0 - 4.5	024/50	067 007	054 261			
					110/50	–	088 468			
					230/50	022 619	049 969			
	<b>C</b>	G 1/4	4.0	0.30	0 - 5	024/50	088 420	–		
230/50						–	063 625			
0 - 4					024/DC	069 917	078 556			
					024/50	066 230	–			
<b>E</b>	G 1/4	3.0	0.25	0 - 6	024/50	022 294	078 559			
					230/50	061 077	067 160			
					024/DC	086 921	044 693			
	G 1/4	4.0	0.30	0 - 3	024/50	053 406	066 033			
					230/50	020 528	–			
					024/DC	–	066 032			
<b>All valves with body material PVDF, manual override and cable plug, seal material FKM</b>										
<b>A</b>	G 1/4	3.0	0.25	0 - 8	024/DC	018 188	–			
				0 - 10	024/50	020 286	–			
					110/50	078 784	–			
					230/50	069 006	–			
				G 1/4	4.0	0.30	0 - 4	024/DC	023 472	–
							0 - 5	024/50	069 079	–
	230/50	087 837	–							
	G 1/4	5.0	0.40	0 - 3	024/DC	064 512	–			
				0 - 4.5	230/50	063 786	–			
					0 - 4	024/DC	055 788	–		
	<b>C</b>	G 1/4	4.0	0.30	0 - 5	024/50	019 078	–		
					0 - 2	024/DC	022 340	–		
<b>E</b>	G 1/4	4.0	0.30	0 - 3	024/50	020 550	–			
					230/50	085 599	–			

**A** 2/2-way valve NC**C** 3/2-way valve NC**E** 3/2-way mixer valve**F** 3/2-way distribution valve**i** Further versions on request**Approvals**

UR, CSA, ATEX

**Voltage**

Non-standard voltages

**Pressure**

Vacuum version

**Port Connection**

NPT 1/4, sub-base

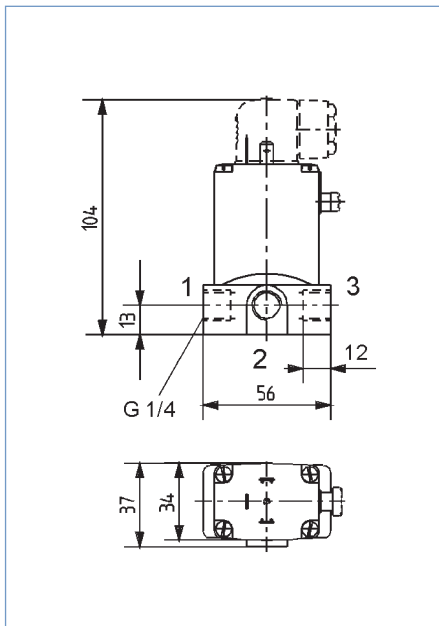
**Materials**

Seal material - FFKM

**Additional**

Optical or electrical feedback

## Dimensions [mm]



The ports are marked with 1, 2 and 3 as indicated in the configuration table, depending on the circuit function.

## Possible port configurations

Circuit function	1	2	3
A <sup>1)</sup>	A	-	P
C	P	A	R
E	P1	A	P2
F	A	P	B

<sup>1)</sup> Type 0124 has no middle connection in circuit function A.

To find your nearest Bürkert facility, click on the orange box → [www.burkert.com](http://www.burkert.com)

In case of special application conditions,  
please consult for advice.

Subject to alterations  
© Christian Bürkert GmbH & Co. KG

0710/3\_EU\_en\_00891602